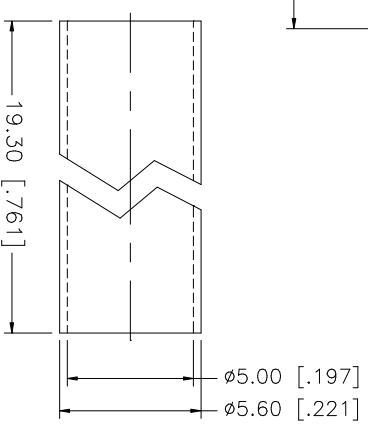
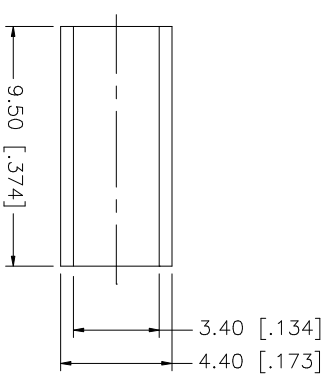
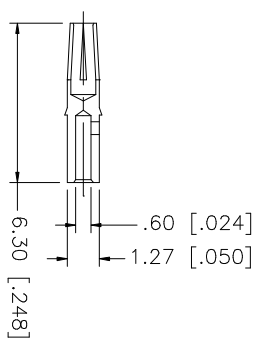
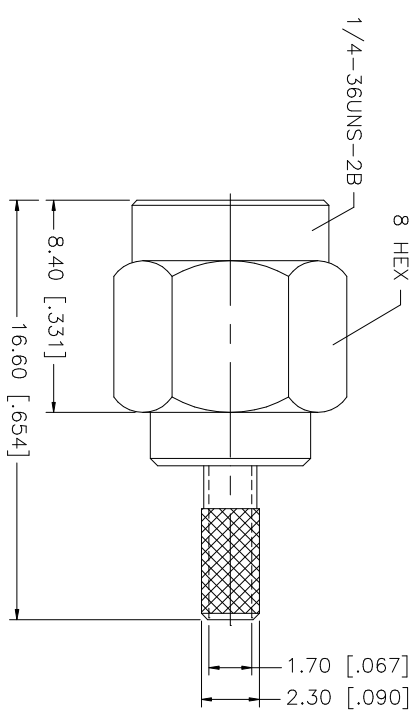
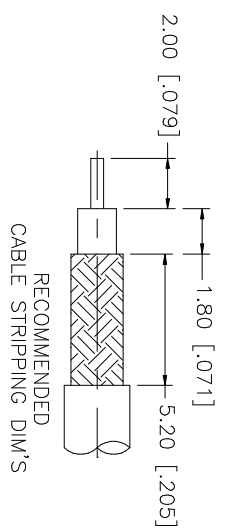


REV.	DATE	DESCRIPTION
A	07/19/99	MODIFY STRIPPING DIMS/ ADD CRIMP NOTES
B	07/21/05	UPDATE DRAWING FORMAT



NOTE:
 USE .151 HEX CRIMP DIE TO TERMINATE FERRULE TO CABLE.
 - CONNEX TOOL 47-10160
 - IDEAL TOOL 36-489

QTY	FINISH	MATERIAL	DESCRIPTION
1	GOLD	COPPER	HEAT SHRINK TUBE
1	GOLD	BRASS	FERRULE
1	NATURAL	TEFLON	CONTACT PIN
1	GOLD	BRASS	INSULATOR BODY

UNLESS OTHERWISE SPECIFIED DIMENSIONS ARE IN MILLIMETERS. DIMENSIONS IN [] ARE IN INCHES AND FOR CUSTOMER REFERENCE ONLY.	UNLESS OTHERWISE SPECIFIED TOLERANCES FOR MILLIMETERS ARE:	UNLESS OTHERWISE SPECIFIED TOLERANCES FOR INCHES ARE:
	0.5 - 8mm ± 0.20mm	.020 - .315 = ± 0.007"
	8 - 30mm ± 0.40mm	.315 - 1.180 = ± 0.015"
	30 - 120mm ± 0.50mm	1.180 - 4.724 = ± 0.020"

APPROVALS	DATE
DRAWN G.R.S.	07/21/05
CHECKED	
ISSUED	
SHEET 1 OF 1	

PART DESCRIPTION	PART NO.	DWG. NO.	REV.	SIZE	SCALE
SMA CRIMP PLUG (FOR RG-316/U DOUBLE BRAID CABLE)	132178RP	132178RP.DWG	B	A	NA

Amphenol Connex